



# H 315 Serie G Novanta

design Pierluigi Cerri

Material Brass/Materiale Ottone



## Product Submittal

Custom finishes available  
 Spring assist built in rosette  
 Passage, privacy, dummy, multipoint, mortise hardware available  
 Accommodates all standard and some custom backset dimensions  
 A complete selection of other matching hardware may be available

Fusital | Door levers/Maniglie

### Finish



03/22 **RP**

26/22 **RP**

### Finishes

03/22= Polished Brass/White Enamel  
 26/22= Polished Chrome/White Enamel

### Functions

PGE= passage  
 PCY= privacy  
 DMY= dummy  
 ML-F= mortise lock  
 MULTI-POINT TRIM

### Finish



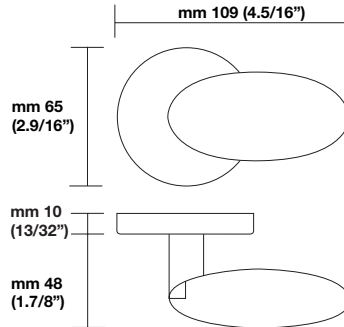
03/22 **EP**

26/22 **EP**  
**ER**

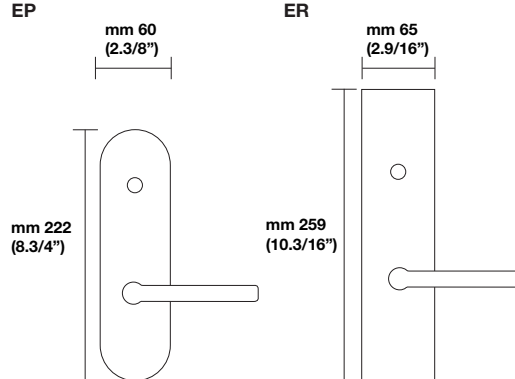
### Trim Options

RP= standard plain style rosette  
 EP= plain style long escutcheon plates  
 ER= rectangular style long escutcheon plates

### Sizes/Misure



### Escutcheon options/Opzioni



Valli&Valli U.S.A. Inc.

Architects and Designers Building  
 964 Third Ave., Suite 563/Annex  
 New York, NY 10155  
 sales@vallivalli-us.com  
 T 212 326 8811  
 F 212 326 8816  
 Toll Free 877 326 2565

To order Valli&Valli products, informations should be specified in the same sequence as the example given:

1.Lever/Knob	2.Trim options	3.Function	4.Finish	5.Handing	6.Backset	7.Miscellaneous
H163	RP	ML F	03	RH	2-1/2"	2-1/4" thick

For small rosette, please specify RS (45 mm rosette). RS pricing is the same as RP pricing. Privacy RS also requires 105 RSP when ordering. RQ (2.9/16" rosette) for standard 2.1/8" cross bore.

820 S. Rockefeller Avenue,  
 Suite E  
 Ontario, CA 91761  
 w.sales@vallivalli-us.com  
 T 909 390 0333  
 F 909 390 0353  
 Toll Free 800 423 7161