



H 328 Serie NF Novantacinque

design Foster and Partners

Product Submittal

Material Brass/Materiale Ottone

Custom finishes available
Spring assist built in rosette
Passage, privacy, dummy, multipoint, mortise hardware available
Accommodates all standard and some custom backset dimensions
A complete selection of other matching hardware may be available



Fusital | Door levers/Maniglie

Finish



03/03D

RP

15

RP

Finishes

03/03D= Polished Brass/Satin Brass
15= Satin Nickel

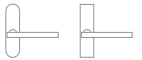
Functions

PGE= passage
PCY= privacy
DMY= dummy
ML-F= mortise lock
MULTI-POINT TRIM

Trim Options

RP= standard plain style rosette
EP= plain style long escutcheon plates
ER= rectangular style long escutcheon plates

Finish



03/03D

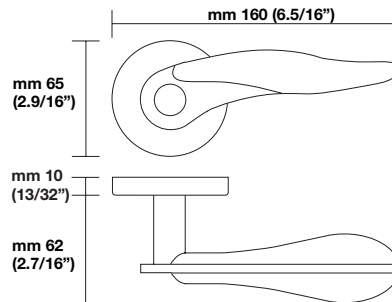
EP

15

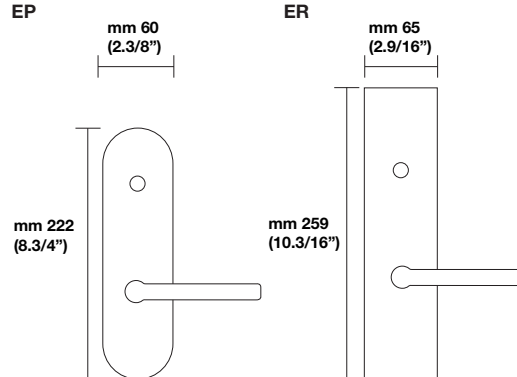
EP

ER

Sizes/Misure



Escutcheon options/Opzioni



To order Valli&Valli products, informations should be specified in the same sequence as the example given:

1.Lever/Knob	2.Trim options	3.Function	4.Finish	5.Handing	6.Backset	7.Miscellaneous
H163	RP	ML F	03	RH	2-1/2"	2-1/4" thick

For small rosette, please specify RS (45 mm rosette). RS pricing is the same as RP pricing. Privacy RS also requires 105 RSP when ordering. RQ (2.9/16" rosette) for standard 2.1/8" cross bore.

Valli&Valli U.S.A. Inc.

Architects and Designers Building
964 Third Ave., Suite 563/Annex
New York, NY 10155
sales@vallivalli-us.com
T 212 326 8811
F 212 326 8816
Toll Free 877 326 2565

820 S. Rockefeller Avenue,
Suite E
Ontario, CA 91761
w.sales@vallivalli-us.com
T 909 390 0333
F 909 390 0353
Toll Free 800 423 7161