



# H 339 Serie AP Duemila

design Andrée Putman

Material Brass/Materiale Ottone

## Product Submittal

Custom finishes available  
Spring assist built in rosette  
Passage, privacy, dummy, multipoint, mortise hardware available  
Accommodates all standard and some custom backset dimensions  
A complete selection of other matching hardware may be available



Fusital | Door levers/Maniglie

### Finish



26/26D

\* Supplied with 105 RSP Privacy Bolt

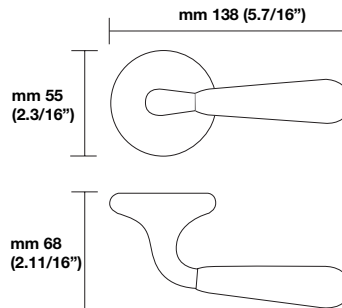
### Finishes

26/26D= Polished Chrome/Satin Chrome

### Functions

PGE= passage  
PCY= privacy  
DMY= dummy  
ML-F= mortise lock  
MULTI-POINT TRIM

### Sizes/Misure



To order Valli&Valli products, informations should be specified in the same sequence as the example given:

1.Lever/Knob	2.Trim options	3.Function	4.Finish	5.Handing	6.Backset	7.Miscellaneous
H163	RP	ML F	03	RH	2-1/2"	2-1/4" thick

For small rosette, please specify RS (45 mm rosette). RS pricing is the same as RP pricing. Privacy RS also requires 105 RSP when ordering. RQ (2.9/16" rosette) for standard 2.1/8" cross bore.

Valli&Valli U.S.A. Inc.

Architects and Designers Building  
964 Third Ave., Suite 563/Annex  
New York, NY 10155  
sales@vallivalli-us.com  
T 212 326 8811  
F 212 326 8816  
Toll Free 877 326 2565

820 S. Rockefeller Avenue,  
Suite E  
Ontario, CA 91761  
w.sales@vallivalli-us.com  
T 909 390 0333  
F 909 390 0353  
Toll Free 800 423 7161