

Installation templates



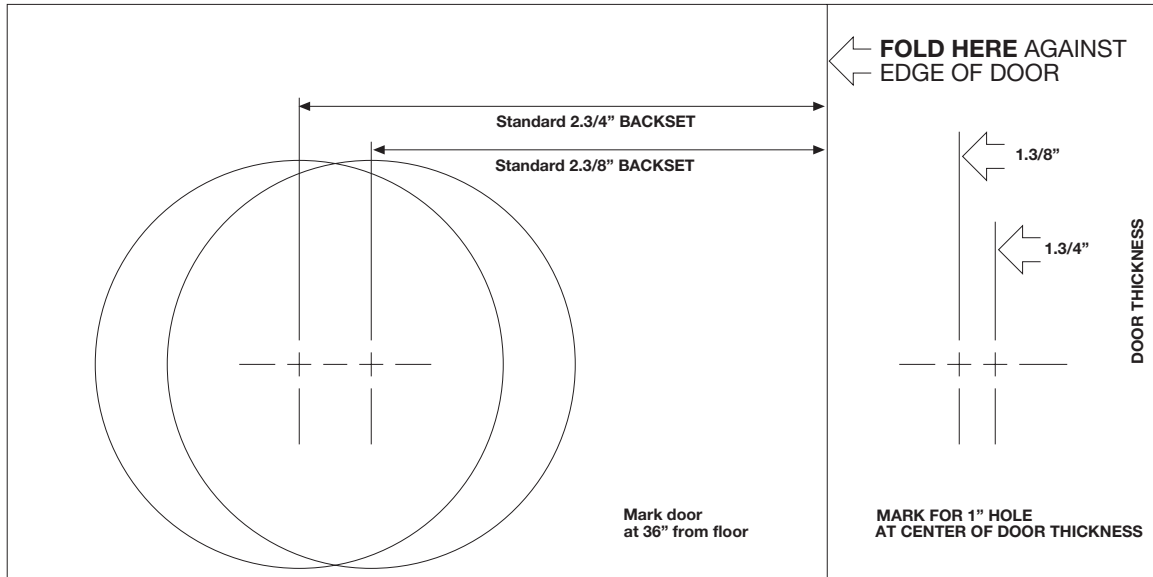
TRIM: RP - RT - RZ - RPS - RQ - RQS

Valli&Valli (U.S.A.) INC.

ROUND ROSETTE LOCKSET AND DEADBOLT INSTALLATION TEMPLATE

IMPORTANT NOTE

If door is beveled, place template on low side of door bevel. Determine before drilling, length of latch enclosed for proper backset installation. Read instruction sheet before installing lock.
Mark proper center for 2.1/8" diameter cross bore hole according to lockset requirement.



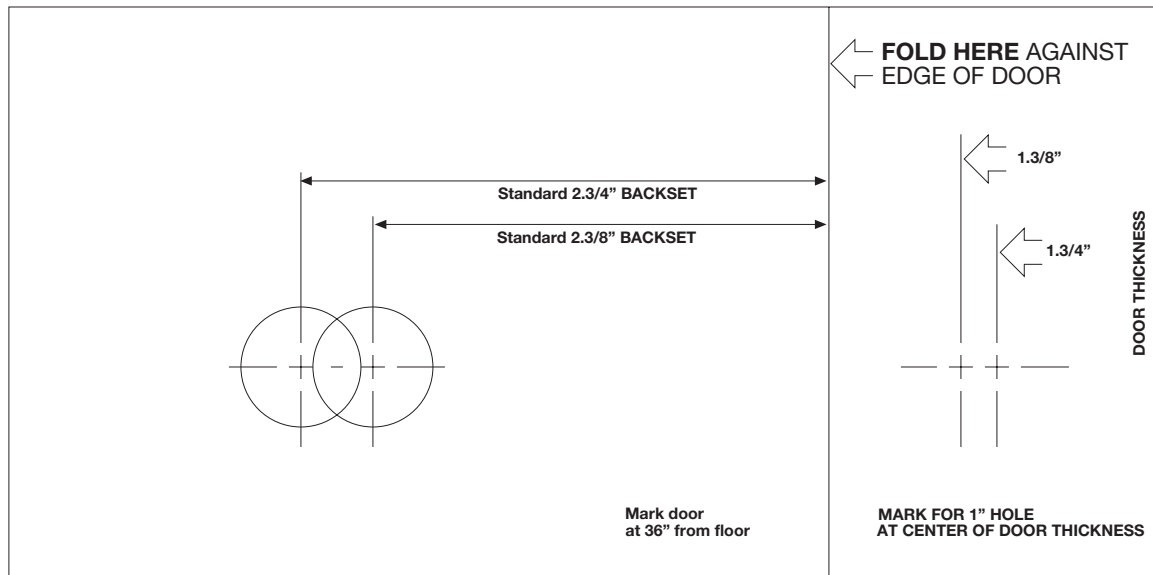
TRIM: RS - RSS - RSQS - 105

Valli&Valli (U.S.A.) INC.

ROUND ROSETTE LOCKSET INSTALLATION TEMPLATE

IMPORTANT NOTE

If door is beveled, place template on low side of door bevel. Determine before drilling, length of latch enclosed for proper backset installation. Read instruction sheet before installing lock.
Mark proper center for 5/8" diameter cross bore hole according to lockset requirement.



Technical information

